

VIS222 Visage 6 Channel Dimmer Pack with LCD Display

The Visage 6 Channel Dimmer Pack can work stand-alone, used as a DMX pack. In stand-alone mode, there are 12 built-in programs available, all with adjustable speed. When working as a DMX pack, it can be controlled through 1 to 6 channels, by address between 001 to 512.

POWER SUPPLY----- SINGLE PHASE AC 240V 50HZ

3-PHASE AC 240V 50HZ

LOAD-----MAX: 6 x 10A/CH

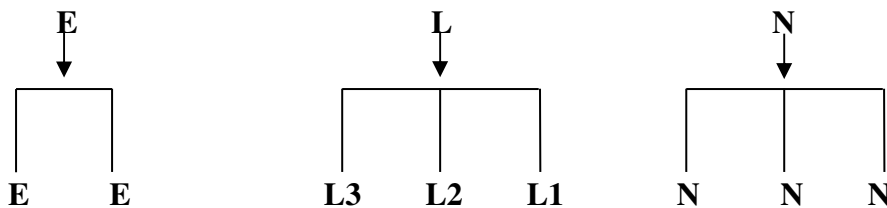
DMX OUTPUT-----3PIN female XLR socket

DMX INPUT-----3PIN male XLR socket

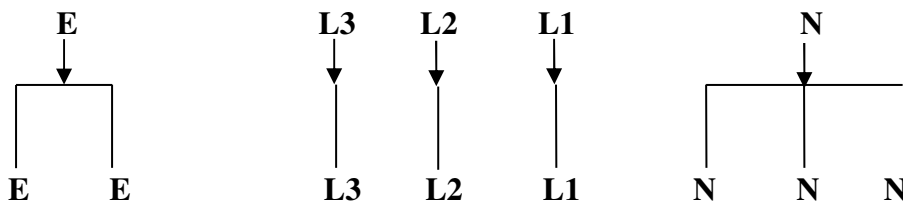
DIMENSIONS-----482 x 40 x 90mm

THE POWER SUPPLY ON-LINE DIAGRAM:

SINGLE PHASE AC 220V 50-60HZ:



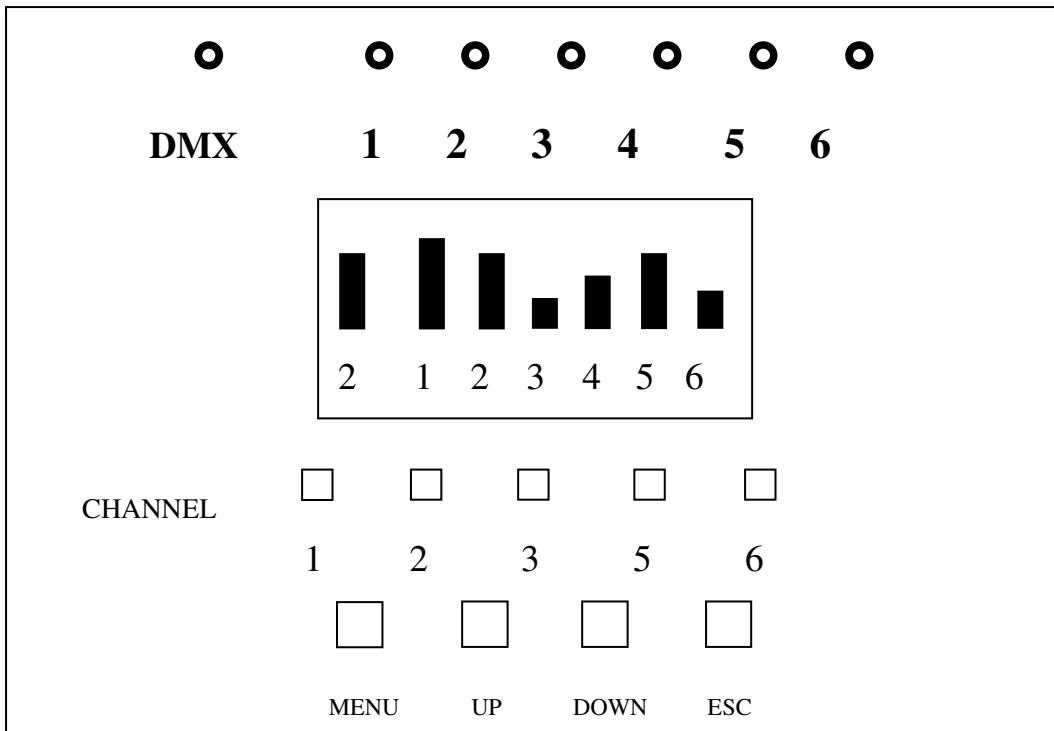
3-PHASE AC 220V 50-60HZ:



Operating instructions:

1, START MENU:

Connect to switch on power supply, first the LCD shows the edition number and start the automatic check in alternate current, and then, The this time DMX instructions the light flash is slow. After completes. Enter to start menu. (Meet the plank show the diagram) In start menu, the first each channel of manifestation front value, the first each channel of manifestation inside the front changes the value of the channel; The second each channel of manifestation preface number, the first each channel of manifestation inside front changes the preface number of the channel. The LCD holds the above blue color instructions light to should bright degree in each channel.



The front-panel shows the diagram

2. The factitiousness adjusts the light

2.1 The single channel factitiousness adjusts the light

Hold in the LCD bottom row contain six channel key, each key to should in its bottom arithmetic figure a channel for meaning preface number. The key presses behind, to should the channel value add/ reduce 1, be to add to 100%, then add 1, then for 0, be to reduce to 0, then reduce 1, then for 100%;Keep on pressing down over two second, then reduce 1, then quickly add/ reduce 1, its to should passage value as well circulate add/ reduce. LCD or the channel instructions can hold its value the light instructions appearance. Add/ reduce the function be decided by the key of ESC, on the system electricity empress, recognize tacitly for adding, Convert to add/ reduce function every press once ESC key, henceforth.

2.2 All channels factitiousness adjusts the light:

Add: While starting the menu, it is each to press once Up key all channels adds 1, be some a the channel adds to 100% then stop the channel's value add. Keep on pressing down over two second, then add quickly 1, be some a the channel adds to 100% then stop the channel's value add.

Reduce: While starting the menu, it is each to press once DOWN key all channels reduce 1, be some the channel reduces to 0 hours then stops the channel's value reduces. Keep on pressing down over two second, then reduce quickly 1, be some a the channel reduces to 0 hours then stop the channel's value reduces.

Note: The factitiousness adjusts the light independence in other adjust the light, namely in course of circulate the inside place a view, or suffers the control of DMX, or suffer the emulation signal control, or prepare hot, move to adjust the light does not change other value, the passage outputs then with they inside of the biggest value outputs.

2.3 FUNCTION MENU:

3.1 FIRST CLASS FUNCTION MENU:

While starting the menu, press MENU under “start” menu, then enter first-class function menu, the LCD displays as following

AUTO

Press once UP/DOWN to circularly choose one of following six first-class functions in the menu: AUTO、Dmx addr、preheating、Curve、preset.

Under the first-class function menu, press ESC to exit the function menu, enter to “start” menu.

Under the first-class function menu, press MENU, Then enter the second-class function menu.

3.2 Second-class function menu:

3.2.1 DMX FAIT meun

A. Under the AUTO first-class function menu, press MENU and enter the second-class function menu, it will display the current mode, if it is running built-in scene 8, it displays as following:

AUTO
Prog08

The movable light marks the

Place Position, below the type is together.

B. Press UP/DOWN once to circularly choose: Hold/ Analog/ Prog01-12.

[Hold]: The last-received DMX signal will be kept.

[Analog]: suffer the DCO-10V analogue input. When there is the DMX signal, analogue will underlie DMX signal

[Progxx]: when there is the DMX signal during running one of the built-in scenes 01-12, the DMX signal will precede the built-in scenes.

The instruction movable light will flash if there is DMX signal.

C. If choose Hold/Analog, Then press ESC/MENU to exit the AUTO second-class function menu, enter the first-class function menu

D. If choose progxx, press MENU to exit AUTO second-class function menu, enter the first-class function menu; Press ESC to enter speed menu for circulating built-in scenes, then press UP/DOWN to circularly choose the expected speed, press and hold UP/DOWN more then two seconds to speed up the circulation. THE speed ranges 00. 1s-20. 0S.

Speed
00.4S

E. In chosen-speed menu, it is invalid to press MENU;

Press ESC to exit AUTO second-class function menu, enter the first-class function menu.

3.2.2: PHA CORR Menu.

A. Under the first-class function in PHA CORR menu, press MENU to enter the second-class function menu, it shows the current mutual compensation status; it runs as following if the current status is YES.

Pha corr
Yes

- B. Press UP/DOWN to choose: Yes/No.
 [No]: without mutual compensation
 [Yes]: with mutual compensation
- C. Press MENU/ESC to exit CORR PHA Second-class function menu, enter the PHA CORR first-class function menu.

3.2.3: DMX ADDR Menu

- A. Under the first-class function DMX ADDR menu, press NENU enter second-class function menu, the manifestation is a current DMX address to establish way, run as follow the diagram if front Block.

Dmx addr Block

- B. Press UP/DOWN then circulates to choose: Block/Single.
 [Block]: Establishing a receiving address for first channel The other address adds 1 one by one, can pass the Single function checking
 [Single]: Establishing address for single channel, it does not affect the other addresses.
- C. In the second-class function in DMX ADDR menu, press ESC to exit the second-class function menu, enter the first-class function menu. Press MENU to enter the third-class function menu.
- D. 1. Set up Block for the third-class function DMX ADDR menu, it runs as following if the first channel address it 011

Start [011]

Press UP/DOWN once, address will increase or decrease by 1, then all channels will be updated, based on the first channel address, all addresser after the first channel address will increase/decrease by 1 in turn. Press and hold UP/DOWN more than two seconds, the address will increase/decrease by 1 quickly. All channel addresses range 001-512.

Press ESC to exit third-class function in DMX ADDR menu, enter the second-class function menu Block mode. Invalid to Press MENU.

- E. 2. Set up Single for the third-class function in DMX ADDR menu If channel address is 011, the movable light cursor will be under the channel sequence number, showing as following:

Chan[1] [011]

Press UP/DOWN once, channel sequence number increaser/decreases by 1, The second line shows the channel address, press and hold it more then two seconds, the channel sequence number quickly increases/decreases by 1, the second line will shows the relevant channel address accordingly. Channel sequence number circulates from Chan [1] to Chan[12].

Press MENU, the movable light mark turns to the channel sequence number address line, press UP/DOWN, the address adds/reduce 1, the other channel address is

constant, hold it more than two seconds, address quickly adds/reduce 1. The channel address ranges 001~512 circulating. If the channel sequence number is 3, channel sequence address is 023, then show as following:

Chan[3] [023]

Then press MENU, the movable light cursor will switch between the channel sequence number and channel sequence number address line, press UP/DOWN to change the relevant value.

Press ESC to exit the third-class function in ADDR DMX ADDR menu, enter the second-class function menu single mode.

3.2.4: PREHEATING menu

A. Under the first-class function in PREHEATING menu, Press MENU to enter the second-function menu, it shows the current setup mode for PREHEAT, it runs as following the diagram if current setup mode is All.

Preheat All

B. Press UP/DOWN to choose: All/single.

[All]: based on preheating value of the first channel, set up preheating value for all channels, can pass the singled function checking.

C. Under the second-class function PREHEATING menu, press ESC to exit second-class function menu, enter the first-class function menu. Press MENU to enter third-class function menu

D. 1. Setup ALL for the third-class function in PREHEATING menu, If preheating value of the first channel is 20%, then show the diagram as following:

All [020%]

Press the UP/DOWN once, preheating value adds/reducer 1%, this time all the channels work the same as the first channel, press the key And hold it more then two seconds, it will speed up adding/reducing Preheating value by 1%, all preheating values range 000%-050%. Press ESC to exit PREHEATING third-class function menu, enter PREHEATING Second-class function menu All mode. It is invalid to press MENU.

E. 2 Setup Single for preheating third-class function menu. If preheating value of the first channel is 23%, the movable light cursor will be under the channel sequence number, showing the diagram as following:

Chan[1] [023%]

Press UP/DOWN, The channel sequence number adds/reduces 1, it will shows the preheating value on the second line, press the key and hold it more than two seconds, the channel sequence number will adds/reduce 1 quickly, preheating value one the second line varies accordingly, the channel sequence number circulates from Chan[1] to Chan[12].

Press the key of MENU, the movable light mark transfer to the line of channel sequence number, then press the UP/DOWN once to add/reduce preheating value by 1%, the preheating value of other channel remains constant, press the key and hold it more than two seconds, preheating value adds/reduce 1 quickly. The preheating value circulates between 000% to 050%. If channel sequence number is 3, the preheating value of channel sequence number is 35%, the diagram show as following:

<p>Chan[3] [035%]</p>

Then press MENU, the movable light cursor switches between the channel sequence number and preheating value, press UP/DOWN to change relevant value. Press ESC to exit the third-class function PREHEATING menu, enter the second-class function menu Single mode.

3.2.5: CURVE Menu

- A. Under the first-class function in CURVE menu, press MENU enter second-class function curve menu, the manifestation adjusts the movable light characteristic for the front, running as follow the diagram if front is LINEAR:

<p>Curve Linear</p>

- B. Press once UP/DOWN then circulates to choose b: Linear/Switch/Square.
 [Linear]: The line adjusts the movable light.
 [Switch]: The switch type adjusts the movable light, 50% below for 0 output, 50% is above to output with 100%.
 [Square]: The curve adjusts the movable light.
- C. Press MENU/ESC withdraw second function in CURVE menu, enter the first-class function menu.

3.3 After entering the function. If there is no press exceed 20 seconds, it will exit to function menu. Enter to start menu.

4. M/S Controls

Keep the same set of each controller and connect them with 3PIN XLR cable. Now it can work under DMX M/S control.

Warning

1. This apparatus must be earthed.
2. To prevent fire or shock hazard, do not expose this apparatus to rain or moisture.
3. The inside places a view elucidation: (bottom form inside, each binary system the number mean the one step, among them 1 mean bright degree as 0, 0 mean bright degree as 100%, each procedure is to circulates circularly.)

PROG01: 000001、000010、000100、001000、010000、100000

PROG02: 100000、010000、001000、000100、000010、000001

PROG03: 100001、010010、001100、010010

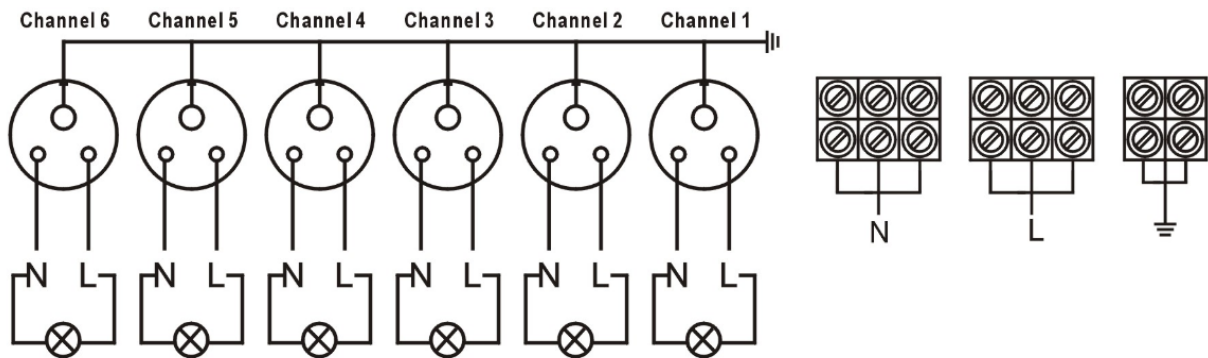
PROG04: 011111、101111、110111、111011、111101、111110

PROG05: 011110、101101、110011、101101

PROG06: 000001、000011、000111、001111、011111、111111、000000
 PROG07: 111111、011111、001111、000111、000011、000001、000000
 PROG08: 100000、110000、111000、111100、111110、111111、000000
 PROG09: 100001、110011、111111、110011、100001、000000
 PROG10: 100000、110000、111000、111100、111110、111111
 111110、111100、111000、110000、100000、000000
 PROG11: 110000、001100、000011
 PROG12: 001100、010010、100001、000000

3. CONNECT THE LINE DIAGRAM:

SINGLE PHASE AC240V 50HZ:



3-PHASE AC240V 50HZ:

