

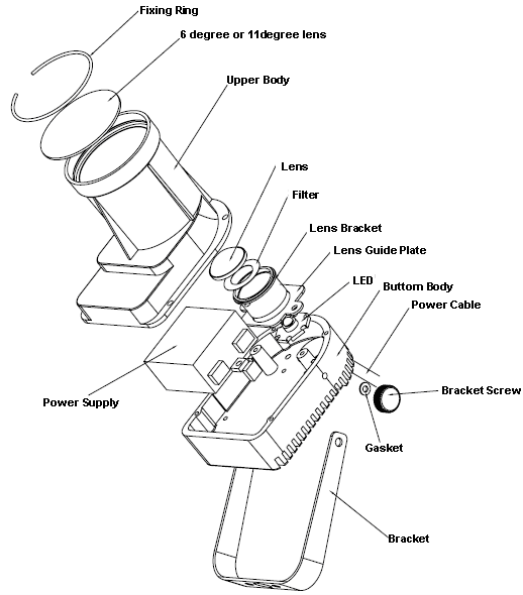
VIS080/VIS081 LED Pinspot 3W Manual

ATTN: Do not connect the device to any dimmer pack.

Specifications:

1. Power Supply: AC90V-240V,50HZ/60HZ
2. LED:1 x 3W white
3. Beam angle:6° (standard) or 11° (accessory)
4. Size:97 x 89 x 135mm
5. Weight:0.4kg
- 6.

The Structure Picture Of The Pin Spot



How to change the lens:

Remove the fixing ring

Change the lens

Put back the fixing ring

